

(12) INTERNATIONAL APPLICATION PUBLISHED UNDER THE PATENT COOPERATION TREATY (PCT)

(19) World Intellectual Property Organization
International Bureau



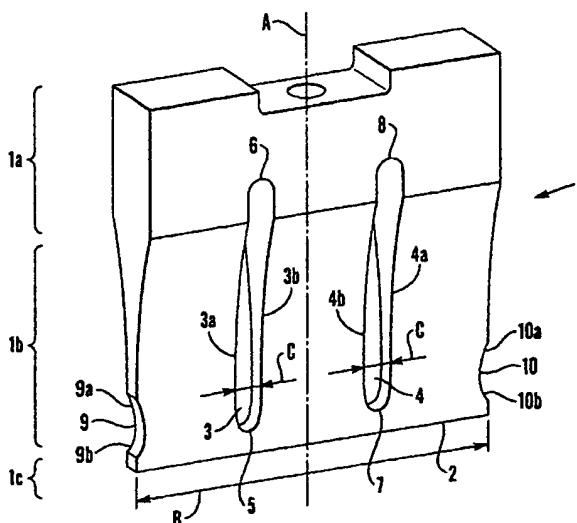
(43) International Publication Date
21 August 2003 (21.08.2003)

PCT

(10) International Publication Number
WO 03/068487 A1

- (51) International Patent Classification⁷: B29C 65/08, B65B 51/22, B06B 3/00
- (21) International Application Number: PCT/SE03/00181
- (22) International Filing Date: 3 February 2003 (03.02.2003)
- (25) Filing Language: Swedish
- (26) Publication Language: English
- (30) Priority Data: 0200394-5 12 February 2002 (12.02.2002) SE
- (71) Applicant (for all designated States except US): TETRA LAVAL HOLDINGS & FINANCE S.A. [CH/CH]; Av. Général-Guisan 70, CH-1009 Pully (CH).
- (81) Designated States (national): AE, AG, AL, AM, AT, AU, AZ, BA, BB, BG, BR, BY, BZ, CA, CH, CN, CO, CR, CU, CZ, DE, DK, DM, DZ, EC, EE, ES, FI, GB, GD, GE, GH, GM, HR, HU, ID, IL, IN, IS, JP, KE, KG, KP, KR, KZ, LC, LK, LR, LS, LT, LU, LV, MA, MD, MG, MK, MN, MW, MX, MZ, NO, NZ, OM, PH, PL, PT, RO, RU, SC, SD, SE, SG, SK, SL, TJ, TM, TN, TR, TT, TZ, UA, UG, US, UZ, VC, VN, YU, ZA, ZM, ZW.
- (84) Designated States (regional): ARIPO patent (GH, GM, KE, LS, MW, MZ, SD, SL, SZ, TZ, UG, ZM, ZW), Eurasian patent (AM, AZ, BY, KG, KZ, MD, RU, TJ, TM), European patent (AT, BE, BG, CH, CY, CZ, DE, DK, EE, ES, FI, FR, GB, GR, HU, IE, IT, LU, MC, NL, PT, SE, SI, SK, TR), OAPI patent (BF, BJ, CF, CG, CI, CM, GA, GN, GQ, GW, ML, MR, NE, SN, TD, TG).
- (72) Inventor; and
(75) Inventor/Applicant (for US only): RÅBE, Magnus [SE/SE]; Albovägen 12, S-232 54 Åkarp (SE).
- (74) Agent: GUNNARSSON, Mikael; AB Tetra Pak, Patent Department, Ruben Rausings gata, S-221 86 Lund (SE).
- Published:
— with international search report
- For two-letter codes and other abbreviations, refer to the "Guidance Notes on Codes and Abbreviations" appearing at the beginning of each regular issue of the PCT Gazette.

(54) Title: ULTRASOUND HORN



(57) Abstract: The invention relates to an ultrasound horn comprising a fixing section (1a), a sealing section (1c) and a transfer section (1b) extending therebetween, one or more elongate recesses (3, 4) being formed at least in the transfer section (1b), and said recesses (3, 4) extending in a direction (A) between the fixing section (1a) and the sealing section (1c). Said recesses (3, 4) have a rounding-off encompassing, along the rounding-off, at least a first portion (5a, 7a) with a first radius of curvature, a second portion (5b, 7b) with a second radius of curvature and a third portion (5c, 7c) with a third radius of curvature. The invention also relates to a novel forming of the transfer section (1b) and recesses (9, 10) at the ends of the sealing section (1c).



WO 03/068487 A1